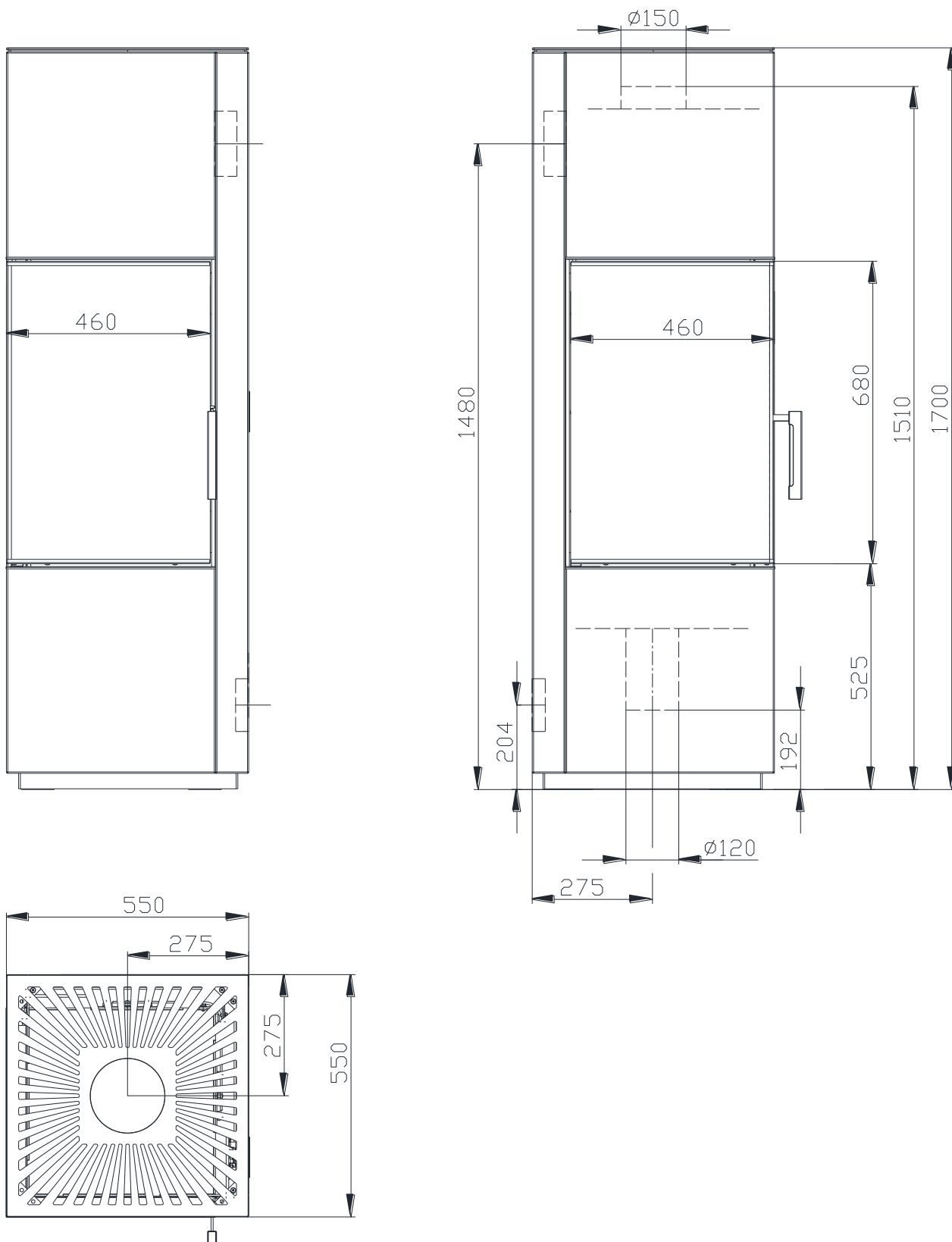


HOT AIR STOVE VIRGO 7E **IN ACCORDANCE WITH EN 13 240**



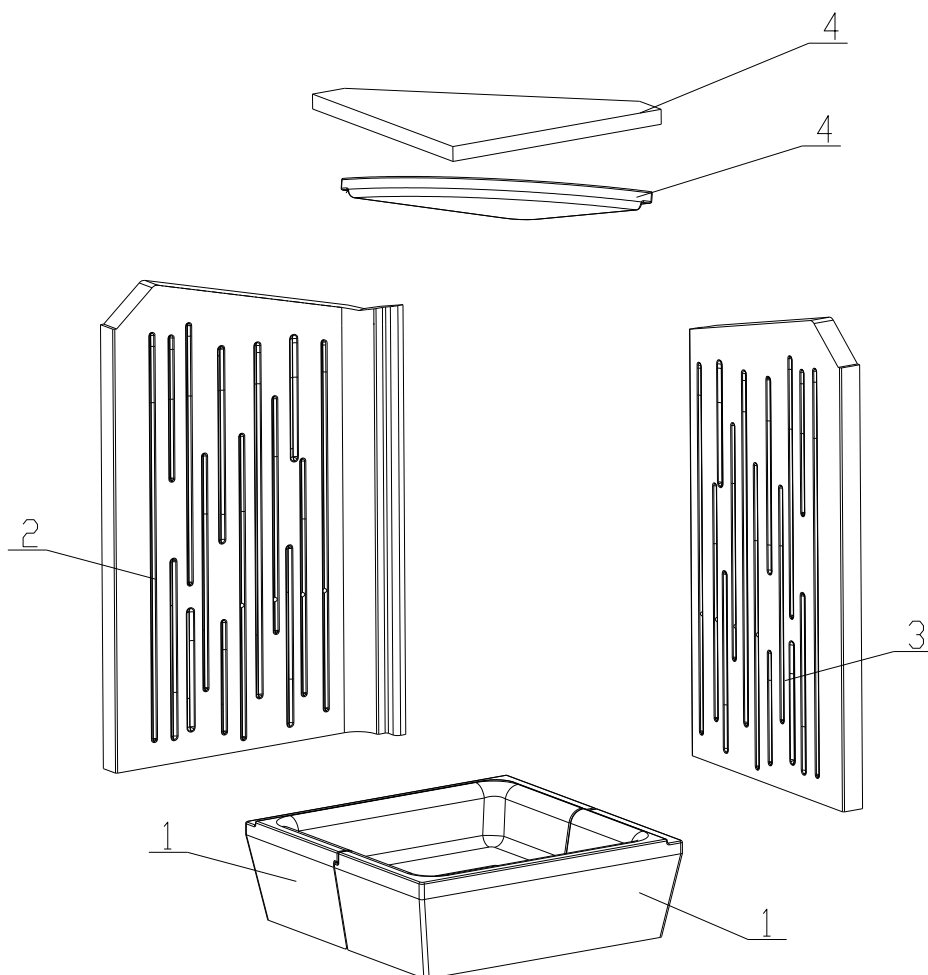
HOT AIR STOVE VIRGO 7E IN ACCORDANCE WITH EN 13 240

Technical data:

Nominal heat output	kW	7
Efficiency	%	82
Volume flow of combustion products	g/s	8,1
Flue-gas temperature	°C	211
Min. feed pressure at nominal heat output	Pa	12
Fuel		wood (beech logs)
Fuel consumption per hour	kg/h	2,0
CO emission in burnt gas (in relation to 13% O ₂)	%	0,0687
Dust in flue-gas (in relation to 13% O ₂)	mg/Nm ³	20
Smoke flue diameter	mm	150
Height	mm	1700
Width	mm	550
Depth	mm	550
Weight	kg	224

Set of carcon firebox:

List of spare parts:



1. Bottom
2. Side piece
3. Back
4. Deflector
5. Cast iron grate
6. Ashtray

For details see Installation and Service Instructions.